

actual size

Quartz Crystal · JXE115

Surface Mount Quartz Crystal

Features

■ RoHS compliant

■ package height 2.1 mm

General Data

type	JXE115
frequency range	3.579545 ~ 5.999 MHz (fund. AT-cut) note: ≥ 6.0 MHz JXE75 is recommended
frequency tolerance at 25 °C	± 30 ppm ~ ± 50 ppm
load capacitance C_L	12 pF ~ 32 pF or series
shunt capacitance C_0	< 7 pF
storage temperature	-40 °C ~ +125 °C
drive level max.	100 µW
aging	< ±5 ppm first year

ESR (series resistance Rs)

frequency in MHz	vibration mode	ESR max. in Ω	ESR typ. in Ω
3.5 ~ 3.999	fund. - AT	140	50
4.0 ~ 4.399	fund. - AT	120	40
4.4 ~ 4.899	fund. - AT	100	35
4.9 ~ 5.999	fund. - AT	80	30

Frequency Stability vs. Temperature

		± 30 ppm	± 50 ppm	± 100 ppm	± 150 ppm
-20 °C ~ +70 °C	STD.	○	●		
-40 °C ~ +85 °C	T1	○	○	●	
-40 °C ~ +105 °C	T2			○	
-40 °C ~ +125 °C	T3			○	○

● standard
 ○ on request

Marking

frequency with load capacitance code
company code / date code / internal code

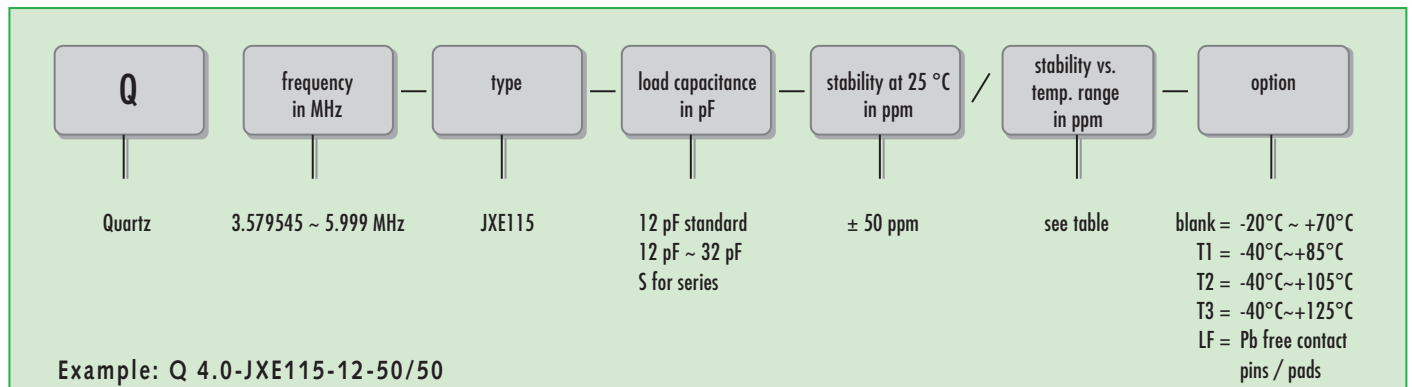
date code: year/month

example: 5A = 2005 January

Jan.	Febr.	Mar.	Apr.	May	June
A	B	C	D	E	F

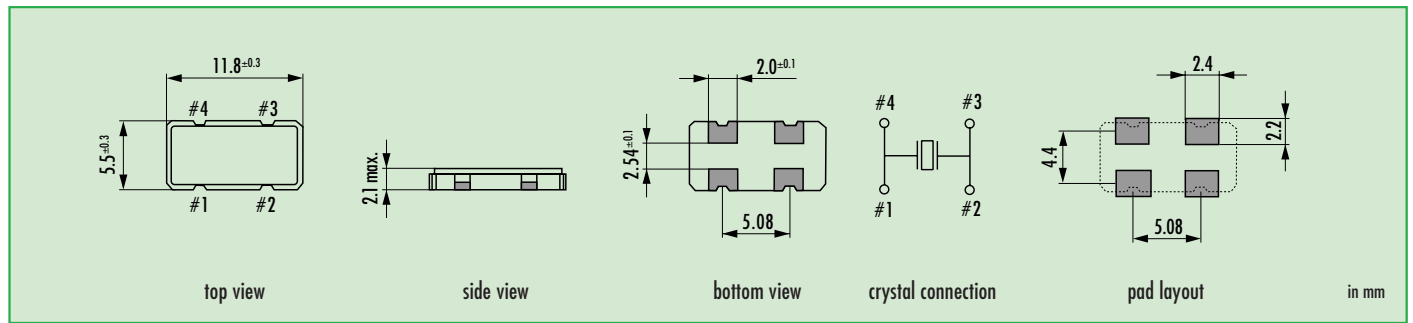
July	Aug.	Sept.	Oct.	Nov.	Dec.
G	H	J	K	L	M

Order Information

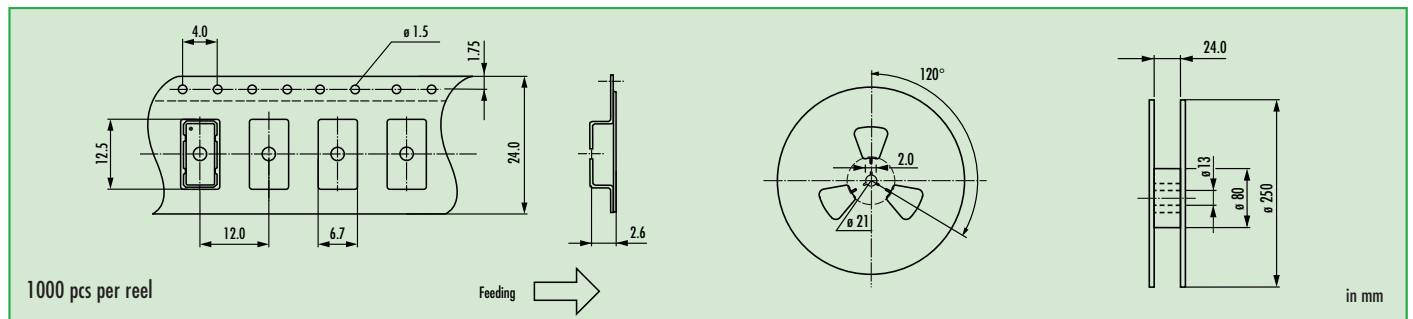


Quartz Crystal · JXE115

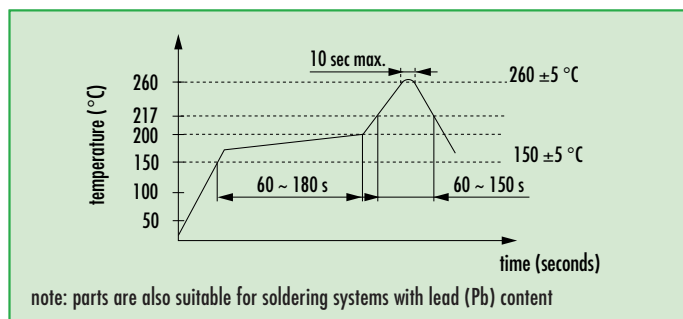
Dimensions



Taping Specification



Reflow Soldering Profile



Load Capacitance Codes

7 pF: m	13 pF: v	20 pF: c	32 pF: e
8 pF: k	14 pF: x	22 pF: g	series: s
9 pF: n	15 pF: j	24 pF: d	T: 3rd OT
10 pF: h	16 pF: b	25 pF: r	
11 pF: i	17 pF: t	27 pF: w	
12 pF: a	18 pF: f	30 pF: .	

example 4.0 MHz / 12 pF: 4a000